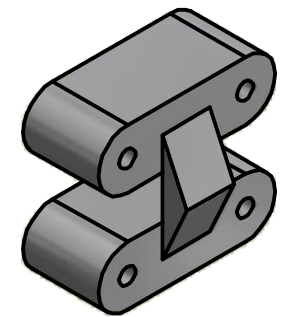
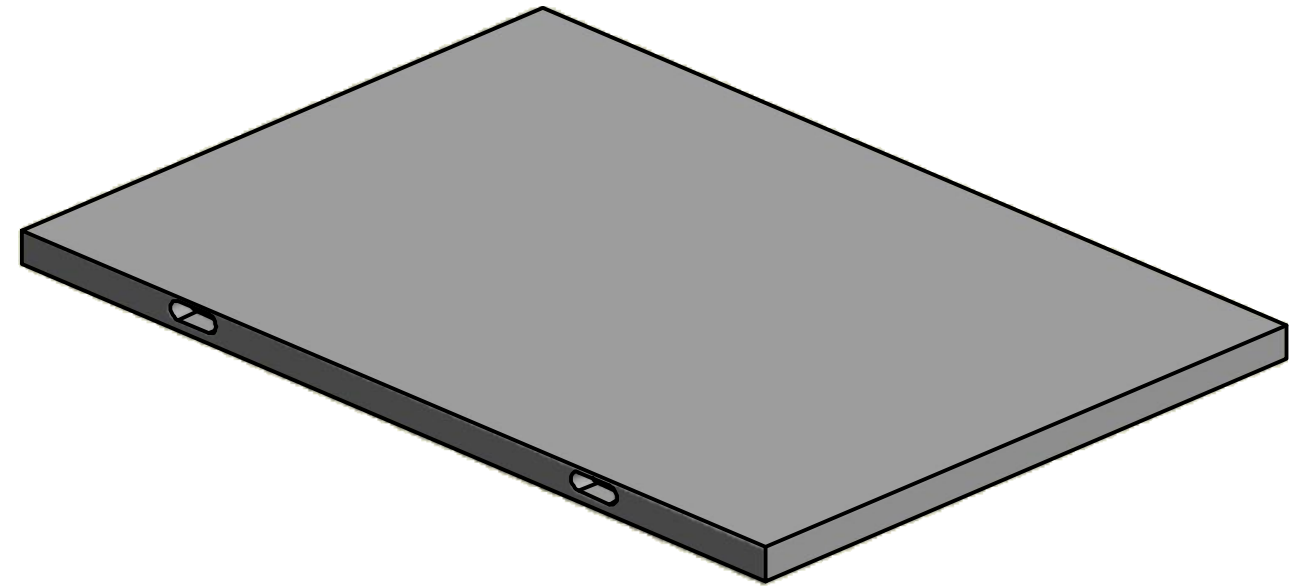
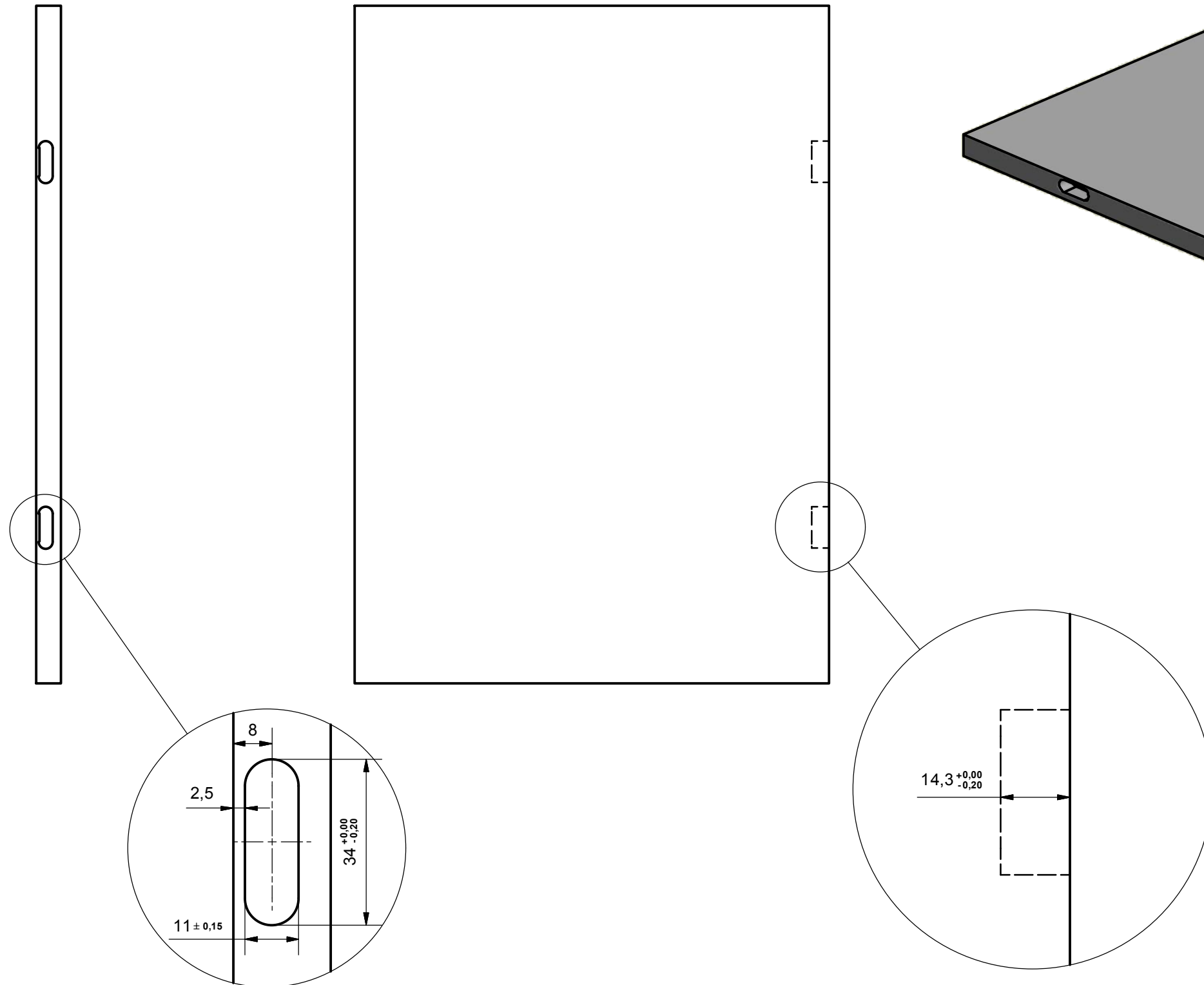


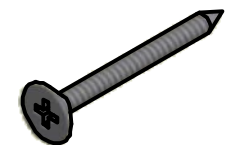
# FRESATA PER CERNIERA MILLING FOR HINGE

CERNIERA COD: 2.8029912.12

HINGE COD: 2.8029912.12



Cerniera mm 33x11 (CEAM 2025)  
Hinge 33x11 mm (CEAM 2025)



Vite truciolare TPS 3.0 x 30 croce  
Chipboard screw TPS 3.0 x 30